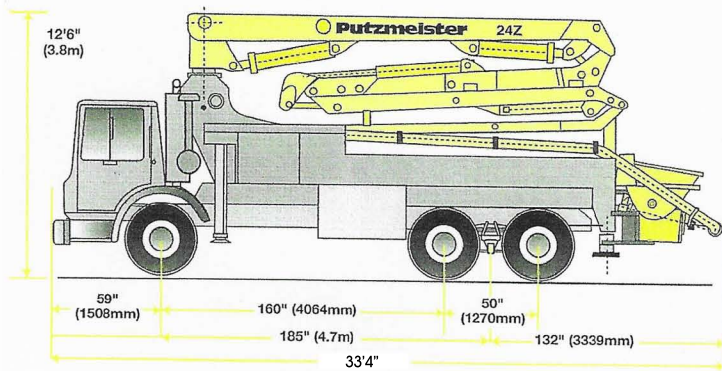


24Z-METER

TRUCK-MOUNTED CONCRETE BOOM PUMP



Vertical reach: **77'8"**

Horizontal reach: **65'9"**

Reach from front of truck: **58'11"**

Boom unfolding height: **17'1"**

Maximum rated output: **160 cubic meters/hr**

Front outrigger spread: **17'9"**

Rear outrigger spread: **8'2"**

Distance front outrigger to rear outrigger: **21'8"**

Front outrigger maximum load: **27,000 lbs**

Rear outrigger maximum load: **18,000 lbs**

Vehicle length: **33'4"**

Vehicle weight: **19,730 Kg**

